

Size (inches) Nominal H x W x D	Size (inches) Actual H x W x D	Koch Part Number	Capacity (CFM)	Resistance (inches W.G.)	Media Area (Sq. Ft.)	MERV Performance
20 x 20 x 12	19-3/8 x 19-3/8 x 11-1/2	111-601-301	1400	.36	125	14
20 x 20 x 12	19-3/8 x 19-3/8 x 11-1/2	111-602-301	1400	.27	125	13
20 x 20 x 12	19-3/8 x 19-3/8 x 11-1/2	111-603-301	1400	.26	125	12
20 x 20 x 12	19-3/8 x 19-3/8 x 11-1/2	111-611-105	1400	.61	125	16

**Standard Construction:**

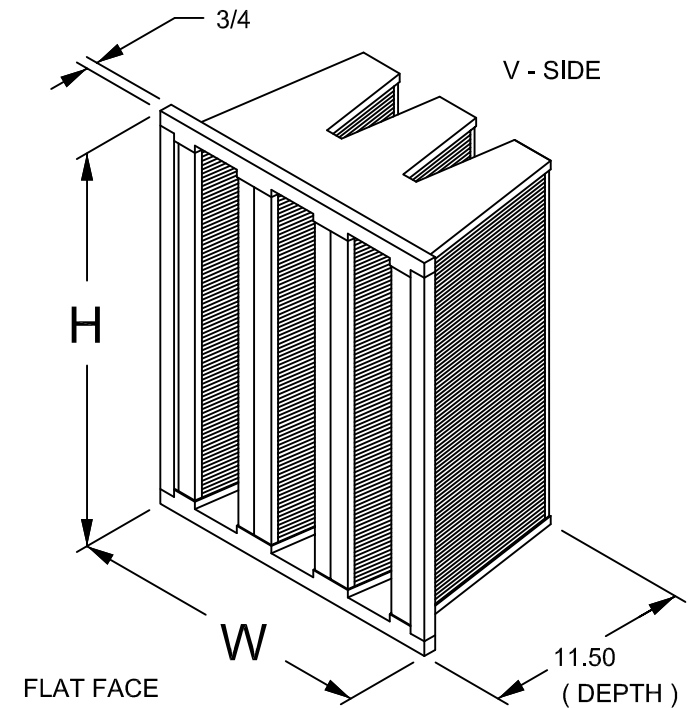
1. Water Repellant Microfiberglass Media
2. Media Packs: Mini-pleated with Hotmelt Bead Separator
3. Frame: High Impact Polystyrene Construction
4. Sealant: Solid Polyurethane in all Vertical Supports
5. Media Packs sealed to End Panels

**Specifications:**

1. Final Resistance: 2.0" W.G.
2. Rated Velocity: 500 FPM
3. Maximum Burst Pressure: 25.0" W.G.
4. Classified Per UL Standard 900
5. Maximum Operating Temperature: 180 F ( 82 C )
6. Tolerance: Height & Width - +0 / - 1/8"
7. Tolerance: Depth - +/- 1/16"
8. MERV Rating - ASHRAE Standard 52.2-2017

**Notes:**

1. Filter may be Installed with Air Flow in Either Direction.
2. All Dimensions are in Inches Unless Otherwise Noted.
3. Drawing Not To Scale



	<b>DuraMAX 3V</b> <b>Microfiberglass Media</b>		REV LTR	REVISION	BY / DATE
			A	REDRAWN AND REVISED	D. MILLER 06JUL2021
	8401 Air Commerce Drive - Louisville KY 40219 Phone: (502) 634-4796 FAX: (502) 637-2280	Drawn By: Matt Ball Date: January 14, 2016	Revision A		